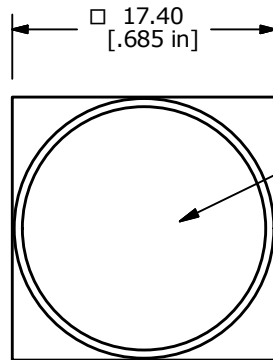
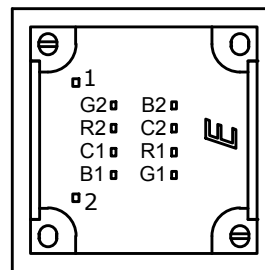
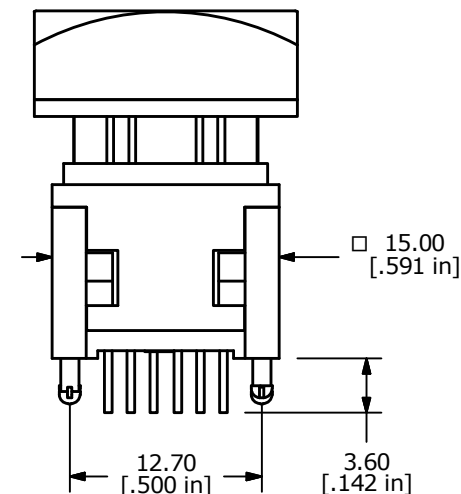
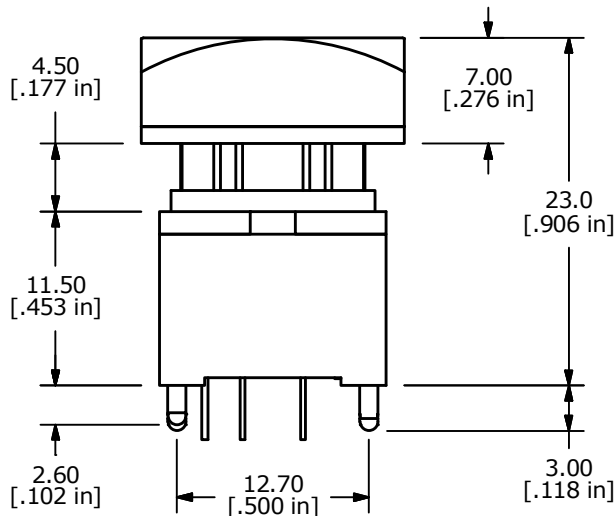
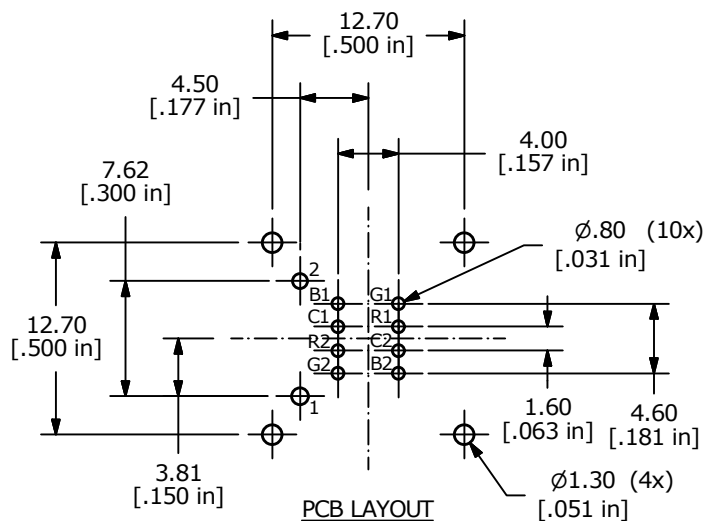


LED SCHEMATIC



▲ LED COLOR:
RED / GREEN / BLUE



- NOTES:
1. ALL DIMENSIONS IN MM [INCH]
 2. GENERAL TOLERANCE: X.X = ± 0.4
X.XX = ± 0.25
 3. TERM. NOS. FOR REFERENCE ONLY.
 4. RATING: 12VDC, 100mA
 5. CONTACT MATERIAL: GOLD PLATED
 6. CONTACT RESISTANCE: 200 mΩ MAX.
 7. INSULATION RESISTANCE: 500VDC, 100 MΩ MIN.
 8. OPERATING FORCE: 200 ± 80gf
 9. MECHANICAL LIFE: 2,000,000 CYCLES
 10. OPERATING TEMP: -40°C TO +85°C
 - ▲ 11. LED COLORS: RED / GREEN / BLUE
 12. TRAVEL: 4.50mm±0.20
 13. 2002/95/EC (ROHS) COMPLIANT
 14. ▲ DENOTES CRITICAL PARAMETER.
 - ▲ 15. SWITCH HAS TACTILE FEEDBACK WHEN ACTUATED

| LED SPECS | UNITS | RED | GREEN | BLUE |
|--------------------------|-------|---------|---------|---------|
| FORWARD CURRENT | mA | 20 | 20 | 20 |
| FORWARD VOLTAGE @20mA | V | 2.1-2.5 | 3.2-4.0 | 3.1-3.8 |
| LUMINOUS INTENSITY @20mA | MCD | 1000 | 1600 | 400 |



| | | | | |
|-----|--------|-----------------|---------|----|
| A | 22360 | INITIAL RELEASE | 6/21/16 | MW |
| REV | PCR NO | DESCRIPTION | DATE | BY |

| | | | | |
|----------------------|-----------|----|---------|-----|
| TITLE LP110A1TC SRGB | | | | |
| SCALE | DATE | DR | DWG | REV |
| 2:1 | 6/20/2016 | MW | B231021 | A |

THE INFORMATION CONTAINED IN THIS DOCUMENT IS PROPRIETARY TO E-SWITCH AND IS NOT TO BE COPIED OR TRANSFERRED